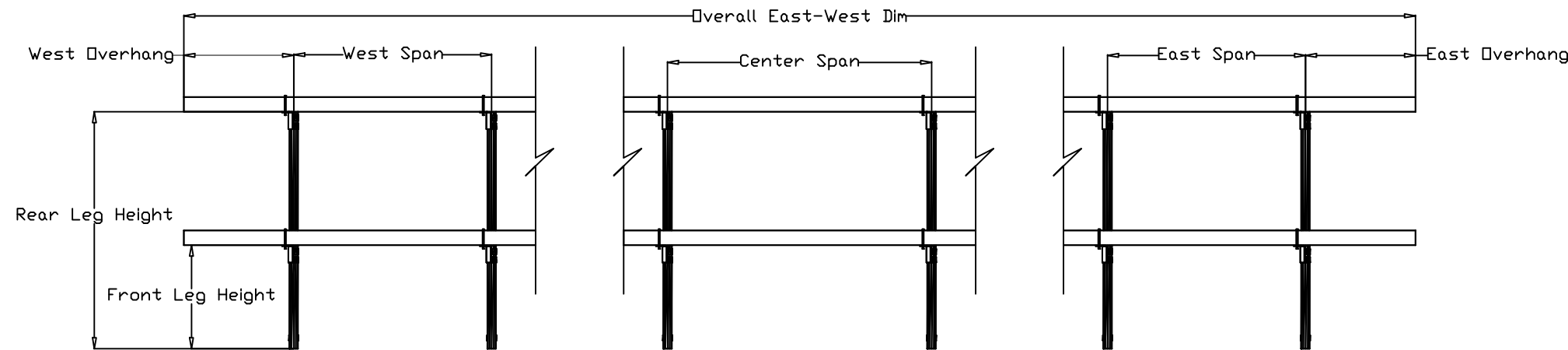


SIDE ELEVATION DETAIL

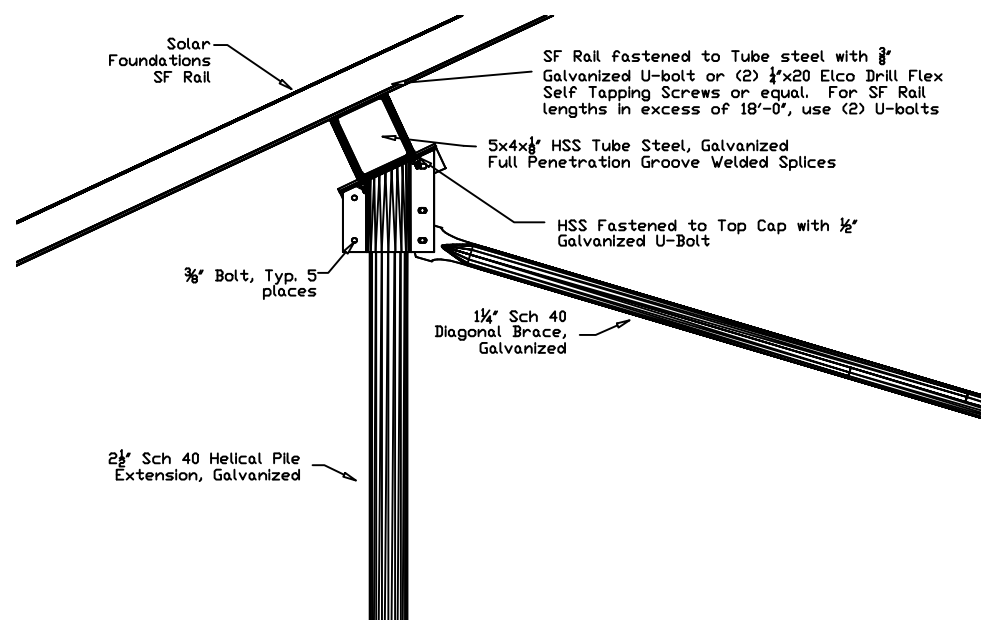
NOT TO SCALE



Refer to Dwg Sheet 1 for East-West Pile Spans and Front and Rear Leg Heights.

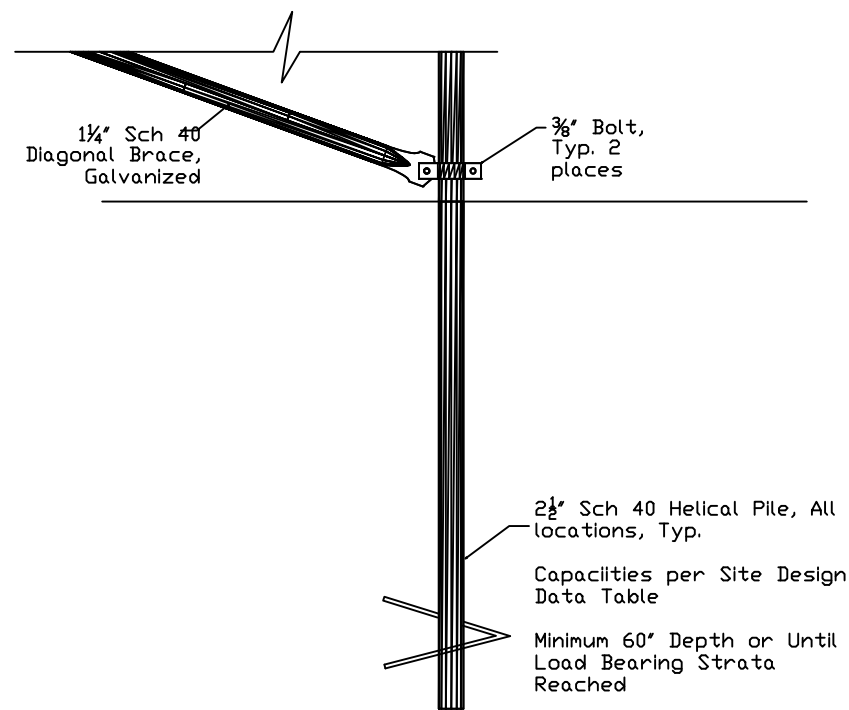
POST SPACING ELEVATION DETAIL

NOT TO SCALE



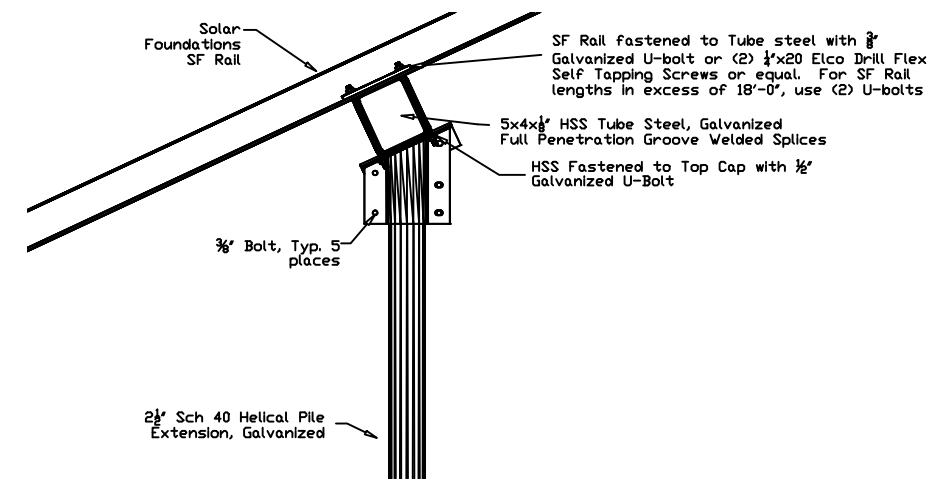
LOWER CAP DETAIL

NOT TO SCALE



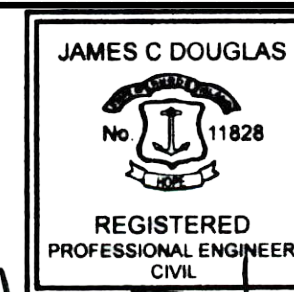
HELICAL PILE DETAIL

NOT TO SCALE



UPPER CAP DETAIL

NOT TO SCALE



Sheet 2 of 3

Sabetti Construction, Inc. DBA Newport Solar

Date	Revision	Drawn By:	Review By:
07/20/2021	Original	MM	JD

Project:
Studlick Residence
 424 Vanderbilt Ln
 Portsmouth, RI 02871

Solar Foundations USA

1142 River Road, New Castle, DE 19720 Ph: (855) 738-7200 Fax: (866) 644-5665