



State of Rhode Island
Coastal Resources Management Council
 Oliver H. Stedman Government Center
 4808 Tower Hill Road, Suite 3
 Wakefield, RI 02879-1900

(401) 783-3370
 Fax (401) 783-2069

PUBLIC NOTICE

File Number: 2021-12-060 Date: February 21, 2022

This office has under consideration the application of:

Cynthia Sherman
 15 Honeysuckle Lane
 Portsmouth, RI 02871

for a State of Rhode Island Assent to construct and maintain:

- Add a boat lift and float lift to an existing residential dock facility.

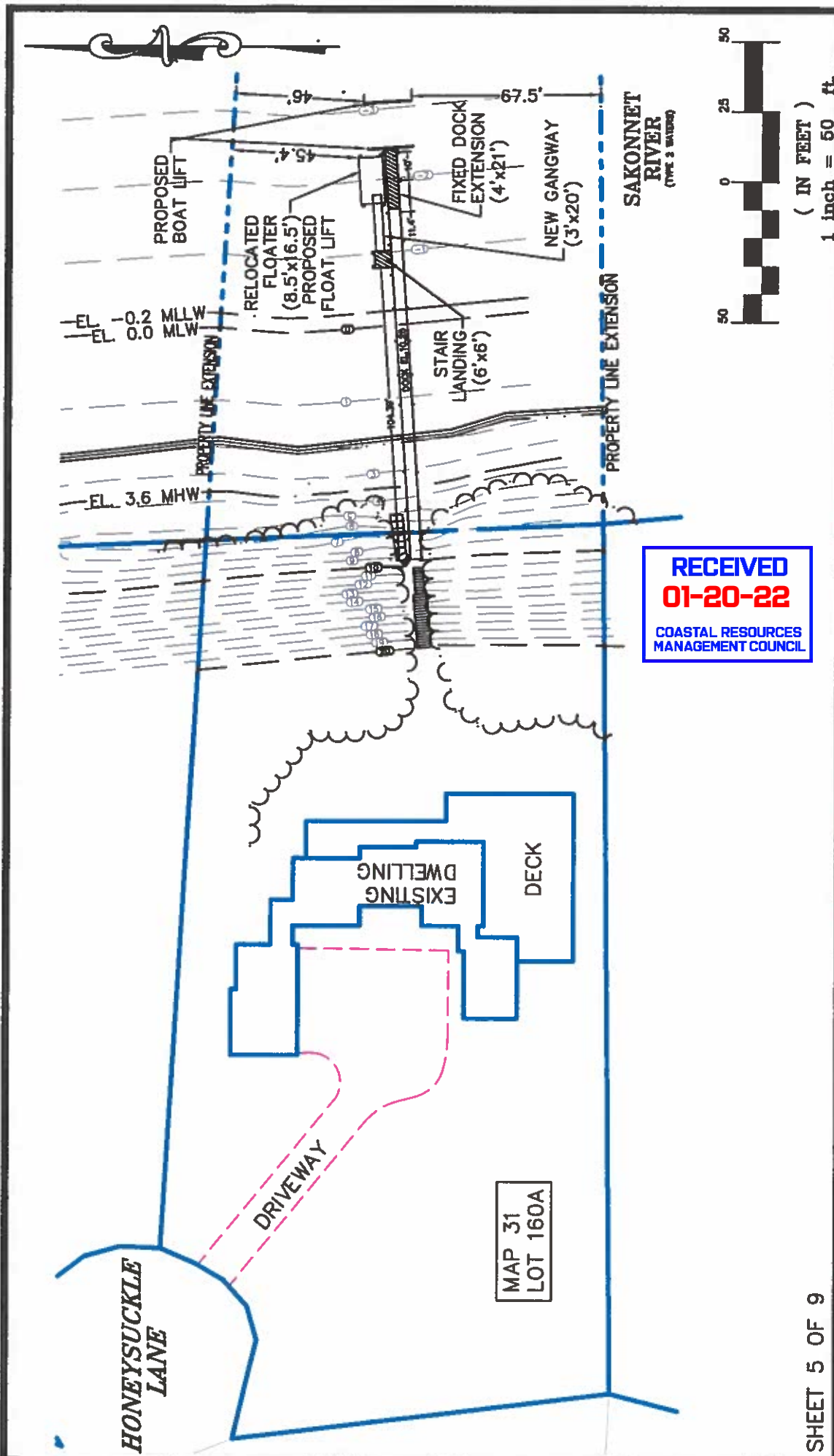
Project Location:	15 Honeysuckle Lane
City/Town:	Portsmouth
Plat/Lot:	31 / 160A
Waterway:	Sakonnet River

Plans of the proposed work may be seen at the CRMC office in Wakefield.

In accordance with the Administrative Procedures Act (Chapter 42-35 of the Rhode Island General Laws) you may request a hearing on this matter.

You are advised that if you have good reason to enter protests against the proposed work it is your privilege to do so. It is expected that objectors will review the application and plans thoroughly, visit site of proposed work if necessary, to familiarize themselves with the conditions and cite what law or laws, if any, would in their opinion be violated by the work proposed.

If you desire to protest, you must attend the scheduled hearing and give sworn testimony. A notice of the time and place of such hearing will be furnished you as soon as possible after receipt of your request for hearing. If you desire to request a hearing, to receive consideration, it should be in writing (**with your correct mailing address, e-mail address and valid contact number**) and be received at this office on or before March 21, 2022.



RECEIVED
01-20-22
 COASTAL RESOURCES
 MANAGEMENT COUNCIL

PROPOSED PLAN VIEW

APPLICATION FOR:
 ROGER SHERMAN
 15 HONEYSUCKLE LANE
 PORTSMOUTH, RI 02871

BY: MOUNT HOPE ENGINEERING, INC.
 1788 G.A.R. HIGHWAY
 SWANSEA, MA. 02777

TODD CHAPLIN

REGISTERED
 PROFESSIONAL ENGINEER

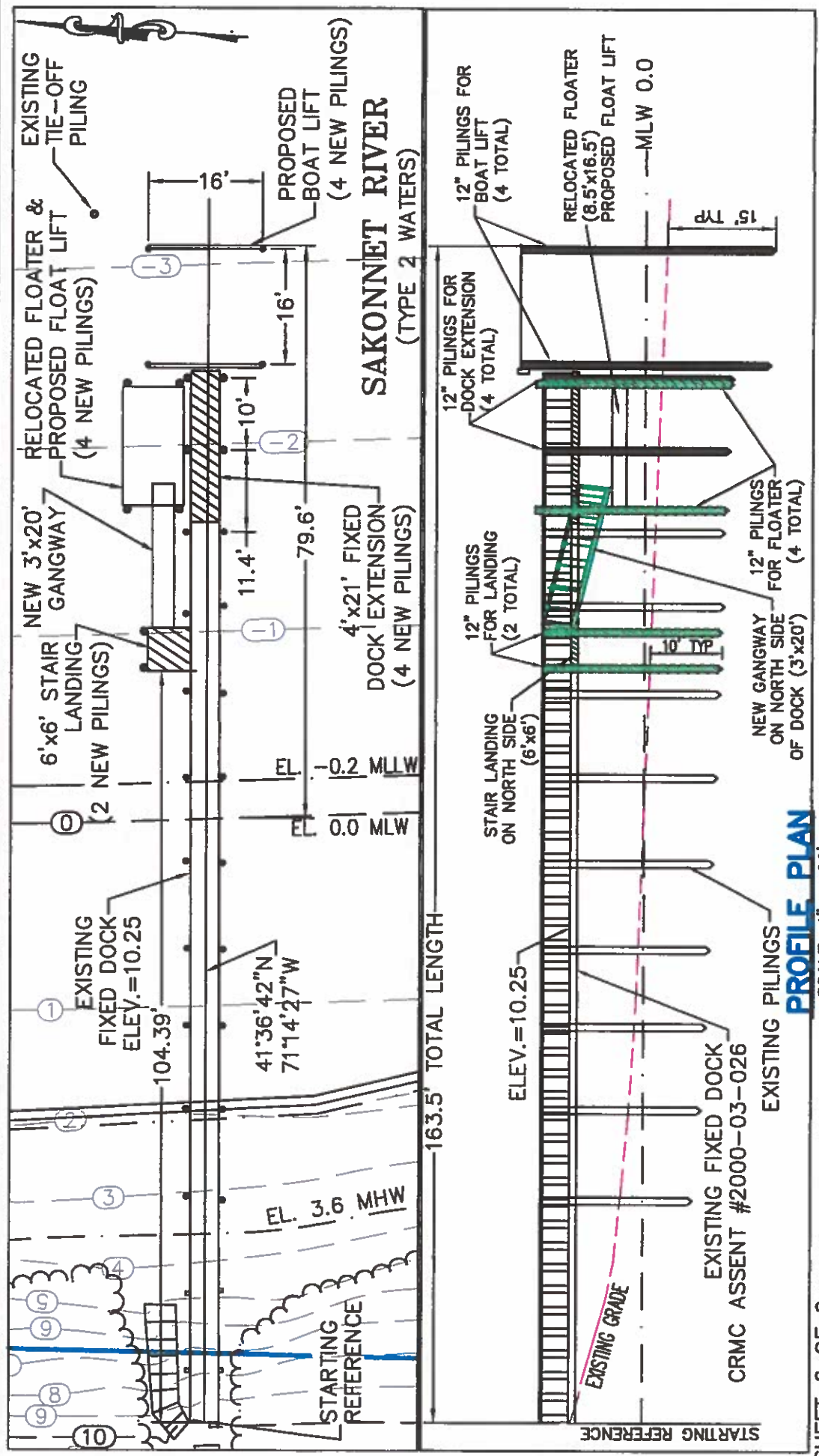
SHEET 5 OF 9

PURPOSE: CONSTRUCTION OF
 A BOAT LIFT AND ADDITION OF A FLOAT
 LIFT TO EXISTING DOCK

IN: SAKONNET RIVER, PORTSMOUTH
 15 HONEYSUCKLE LANE

DATUM: MHW = 3.6
 MLW = 0.0

DATE: 01/05/2022
 REVISED:



TODD CHAPLIN
 REGISTERED PROFESSIONAL ENGINEER
 No. [Signature]
 No. 2533

DOCK PROFILE
 APPLICATION FOR:
 ROGER SHERMAN
 15 HONEYSUCKLE LANE
 PORTSMOUTH, RI 02871
 BY: MOUNT HOPE ENGINEERING, INC.
 1788 G.A.R. HIGHWAY
 SWANSEA, MA. 02777

RECEIVED
01-20-22
 COASTAL RESOURCES MANAGEMENT COUNCIL

PURPOSE: CONSTRUCTION OF A BOAT LIFT AND ADDITION OF A FLOAT LIFT TO EXISTING DOCK

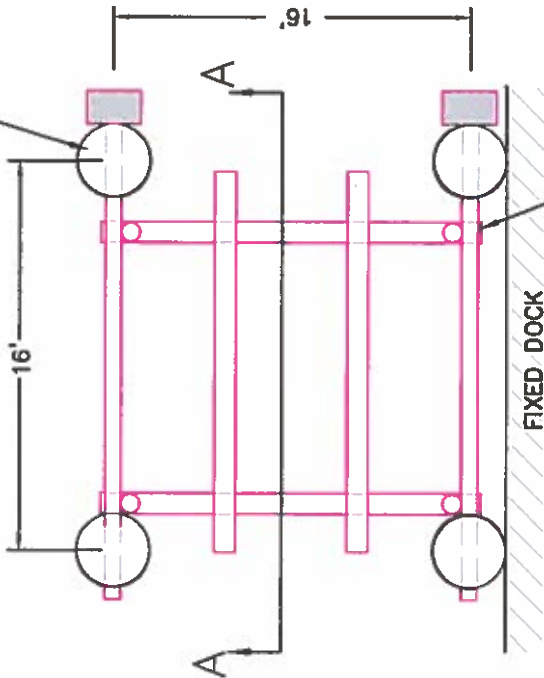
IN: SAKONNET RIVER, PORTSMOUTH, RI
 15 HONEYSUCKLE LANE

DATUM: MHW = 3.6
 MLW = 0.0

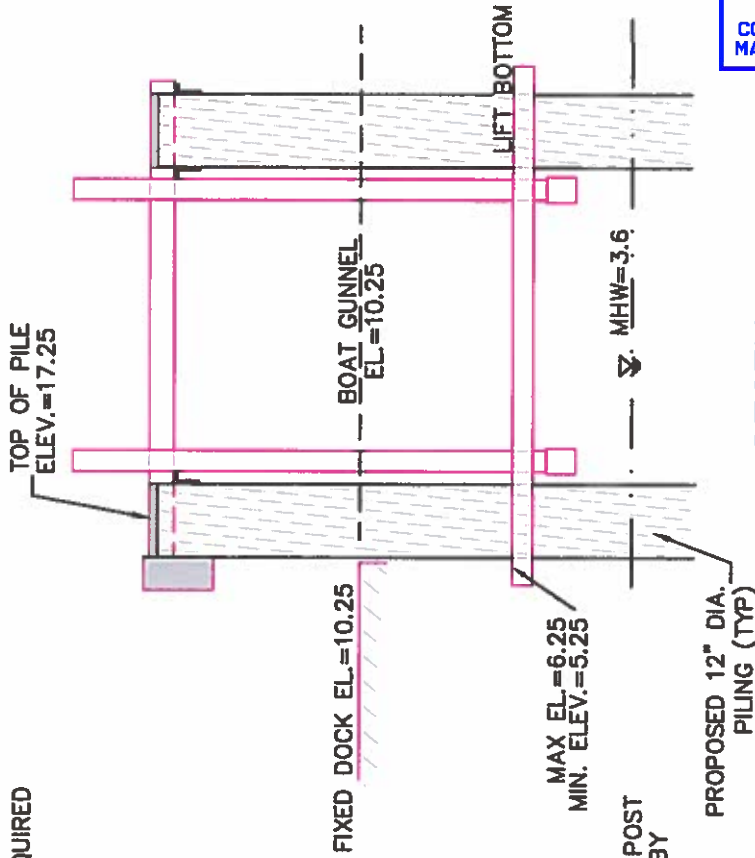
DATE: 01/05/2022
 REVISED:

PROFILE PLAN
 SCALE: 1" = 20'

12" DIA.
PILINGS (TYP)
4 NEW PILES REQUIRED



TOP VIEW
NOT TO SCALE



SECTION A-A
NOT TO SCALE

RECEIVED
01-20-22
COASTAL RESOURCES
MANAGEMENT COUNCIL

SHEET 7 OF 9

PURPOSE: CONSTRUCTION OF
A BOAT LIFT AND ADDITION OF A FLOAT
LIFT TO EXISTING DOCK

IN: SAKONNET RIVER, PORTSMOUTH
15 HONEYSUCKLE LANE

DATUM: MHW = 3.6
MLW = 0.0

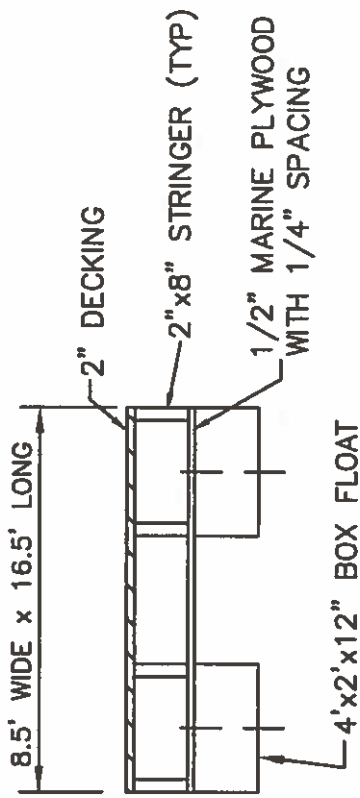
DATE: 01/05/2022
REVISED:

BOAT LIFT DETAILS

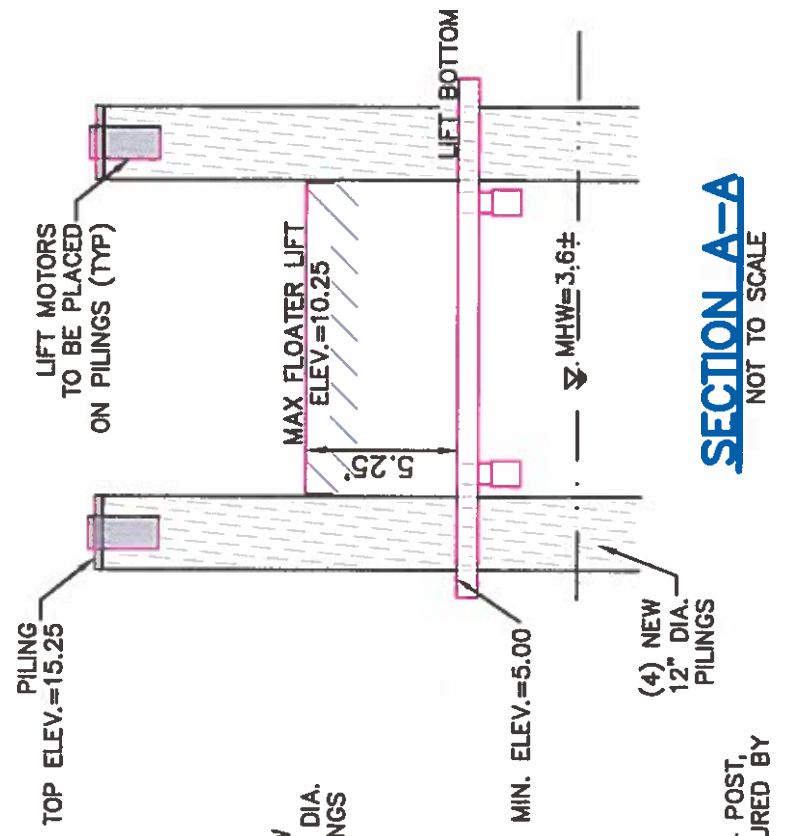
APPLICATION FOR:
ROGER SHERMAN
15 HONEYSUCKLE LANE
PORTSMOUTH, RI 02871
BY: MOUNT HOPE ENGINEERING, INC.
1788 G.A.R. HIGHWAY
SWANSEA, MA. 02777

TODD CHAPLIN
No. 5535
REGISTERED
PROFESSIONAL ENGINEER

RECEIVED
01-20-22
 COASTAL RESOURCES
 MANAGEMENT COUNCIL



**EXISTING
 TIMBER FLOAT SECTION**
 NTS



SECTION A-A
 NOT TO SCALE

TOP VIEW
 NOT TO SCALE

SHEET 8 OF 9

PURPOSE: CONSTRUCTION OF
 A BOAT LIFT AND ADDITION OF A FLOAT
 LIFT TO EXISTING DOCK

IN: SAKONNET RIVER, PORTSMOUTH
 15 HONEYSUCKLE LANE

DATUM: MHW = 3.6
 MLW = 0.0

DATE: 01/05/2022
 REVISED:

FLOATER LIFT DETAILS

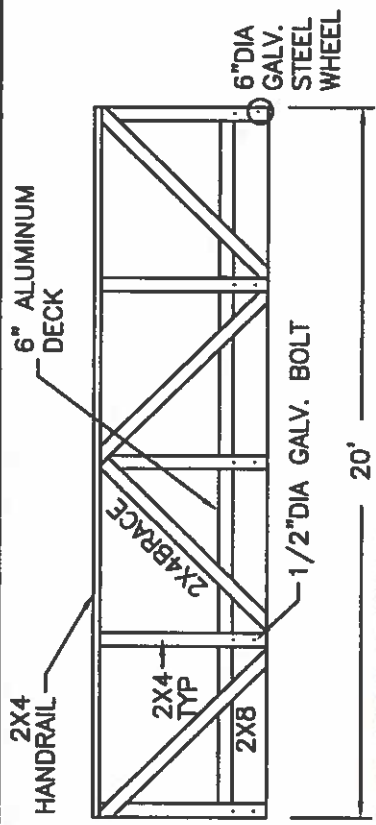
APPLICATION FOR:
 ROGER SHERMAN
 15 HONEYSUCKLE LANE
 PORTSMOUTH, RI 02871

BY: MOUNT HOPE ENGINEERING, INC.
 1788 G.A.R. HIGHWAY
 SWANSEA, MA. 02777

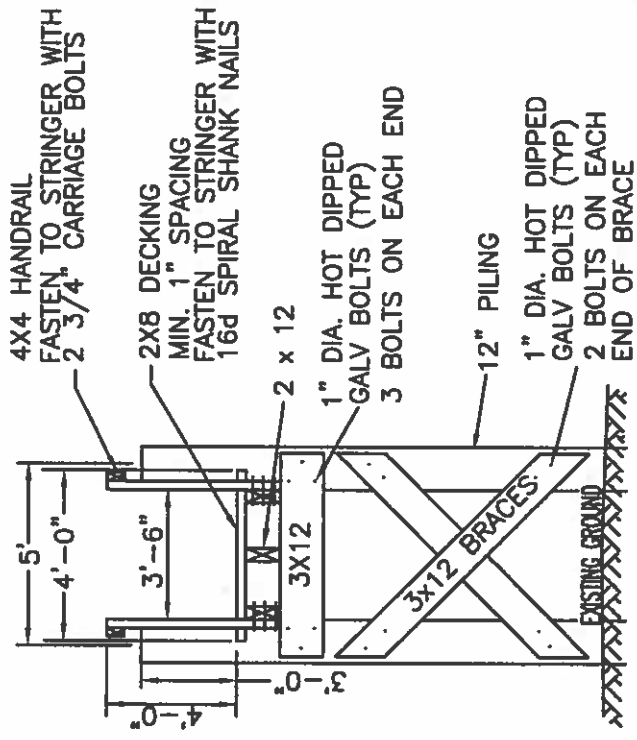
TODD CHAPLIN
 No. 2022-0535
 REGISTERED
 PROFESSIONAL ENGINEER

RECEIVED
01-20-22
 COASTAL RESOURCES
 MANAGEMENT COUNCIL

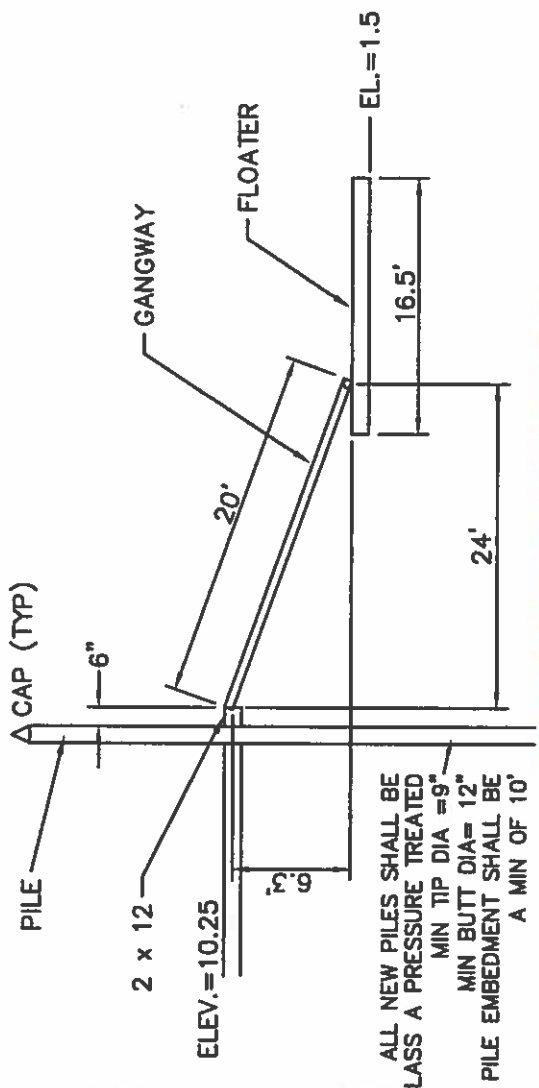
DESIGN LIVE LOAD = 40 PSF
 OR 400# CONCENTRATED



LONGITUDINAL GANGWAY SECTION
 NTS



TYPICAL BENT SECTION
 NTS



GANGWAY PROFILE
 NTS

ALL NEW PILES SHALL BE
 CLASS A PRESSURE TREATED
 MIN TIP DIA = 9"
 MIN BUTT DIA = 12"
 PILE EMBEDMENT SHALL BE
 A MIN OF 10'

SHEET 9 OF 9

PURPOSE: CONSTRUCTION OF
 A BOAT LIFT AND ADDITION OF A FLOAT
 LIFT TO EXISTING DOCK

IN: SAKONNET RIVER, PORTSMOUTH
 15 HONEYSUCKLE LANE

DATUM: MHW = 3.6
 MLW = 0.0

DATE: 01/05/2022
 REVISED:

GANGWAY & DOCK DETAILS

APPLICATION FOR:
 ROGER SHERMAN
 15 HONEYSUCKLE LANE
 PORTSMOUTH, RI 02871
 BY: MOUNT HOPE ENGINEERING, INC.
 1788 G.A.R. HIGHWAY
 SWANSEA, MA. 02777

